




Storage Freezer

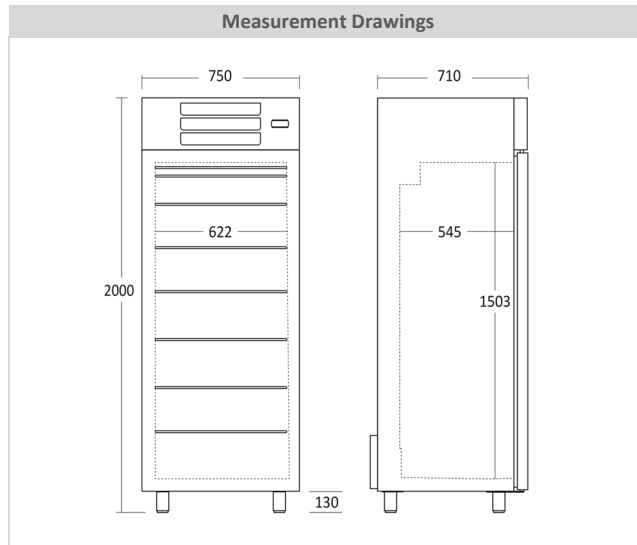
GUF600W



	Energy efficiency class	Item number	39328610000GUF600W	Taric goods code	8418291000
	Label not required	EAN code	5704704018396	QTY in 40HQ	45

Short Description

Key features
• GN2/1 suitable
• Reversible Solid Door
• Self-closing door
• Static cooling - Manual defrost
• 6 x Fixed shelves 650x530mm
• 4 x Inox feet



Dimensions and weight

Product dimensions, HxWxD, mm	2000 x 750 x 710
Product depth w/handle, mm	710
Packaging dimensions, HxWxD, mm	2010 x 790 x 760
Total packaging volume m3	1,207
Gross volume, L	544
Net volume, L	459
Gross- / Net volume, L	544 / 459
Internal dimensions, HxWxD, mm	1503 x 622 x 545
Gross- / Net weight, kg	109 / 96

Performance and consumption

Energy efficiency class	Label not required
Annual energy cons. kWh/a	1334
Noise level, dB(A)	70
Refrigeration / freezing technique	Static
Climate class	4
Type of refrigerant / gas gr.	R290a /
Temperature range °C	-16°C / -22°C
NoFrost	No
Energy efficiency class	-

Installation and power

Voltage / hertz, V/hz	230 / 50
Length of Powercord, cm	2500

Design and comfort

Controller	Digital
Control panel	Outside
Digital display	Yes
Internal light	No light
External thermometer	No
Reversible door	Yes
Door- / lid type	Right hinged
Self closing door	Yes
Handle	Integrated
Number of feet	4 adjustable
Lock & Key	No

Colour and material

Inside Colour	White
---------------	-------

Features

Number of shelves	6
Adjustable shelves	No
Shelves material	Cromed wire
Large shelves size WxD, mm	Cromed wire

scandomestic

Scandomestic A/S . Linåvej 20 . DK-8600 Silkeborg . Tel.: +45 7242 5571 . www.scandomestic.dk